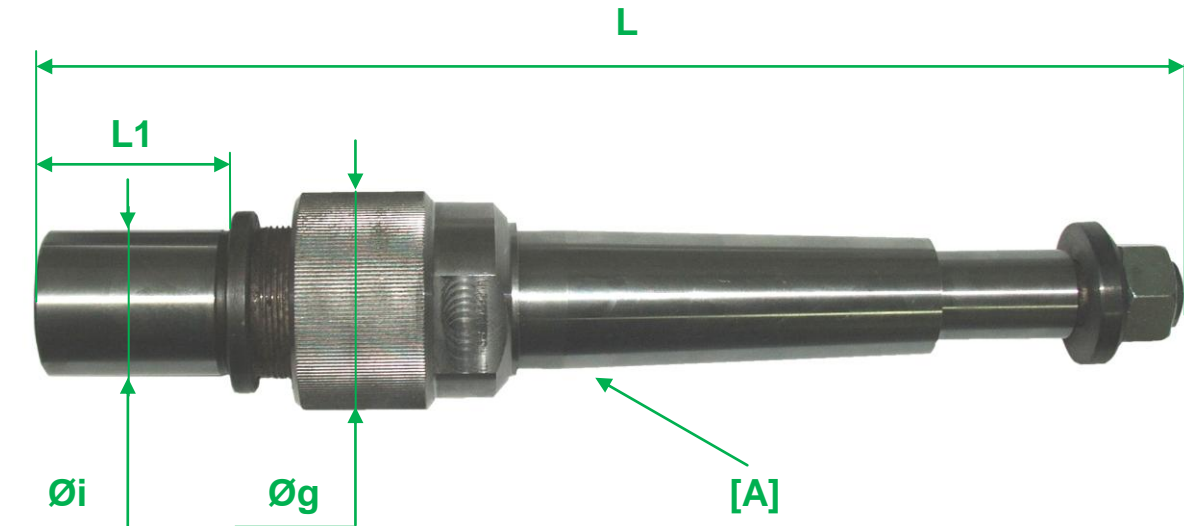


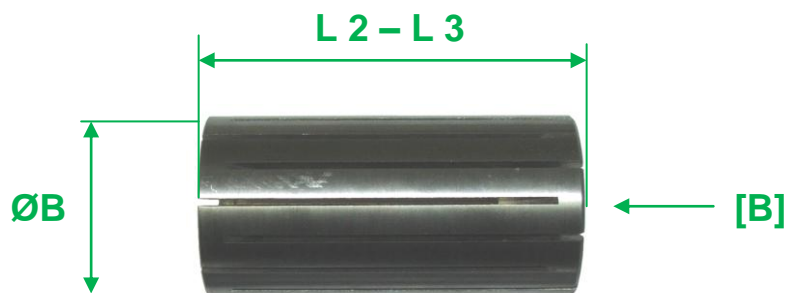


EXPANSION MANDREL MEC.10

OVERALL DIMENSIONS MANDREL and BUSHING (*standard product*)



MANDREL: DIMENSION mm - WEIGHT (Kg)							
REFER.	CODE	DESCRIPTION	Øi	Øg	LENGTH		WEIGHT Kg
					L	L 1	
[A]	MEC.10	MANDRL TAPER COMPLETE	40,0	60,0	310,0	50,0	3,0



EXPANSION BUSHING: DIMENSION (mm) - WEIGHT (Kg)						
RIFERIM.	CODICE	DESCRIZIONE	ØE	LENGTH		WEIGHT Kg
				L 2	L 3	
[B]	MEC.10-420	EXPANSION BUSHING Ø 42,0	42,0	80,0	100,0	0,3
	MEC.10-476	EXPANSION BUSHING Ø 47,6	47,6	80,0	100,0	0,4
	MEC.10-500	EXPANSION BUSHING Ø 50,0	54,0	80,0	100,0	0,4
	MEC.10-540	EXPANSION BUSHING Ø 54,0	50,0	80,0	100,0	0,4

DIAMETER and LENGTH of BUSHING ON REQUEST